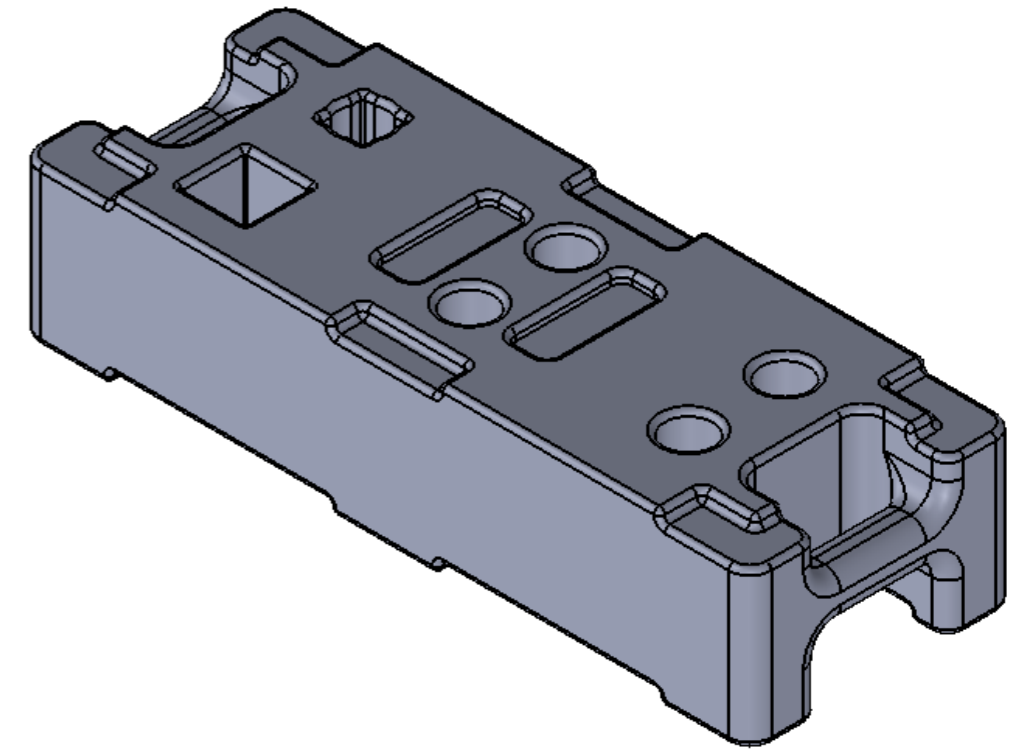
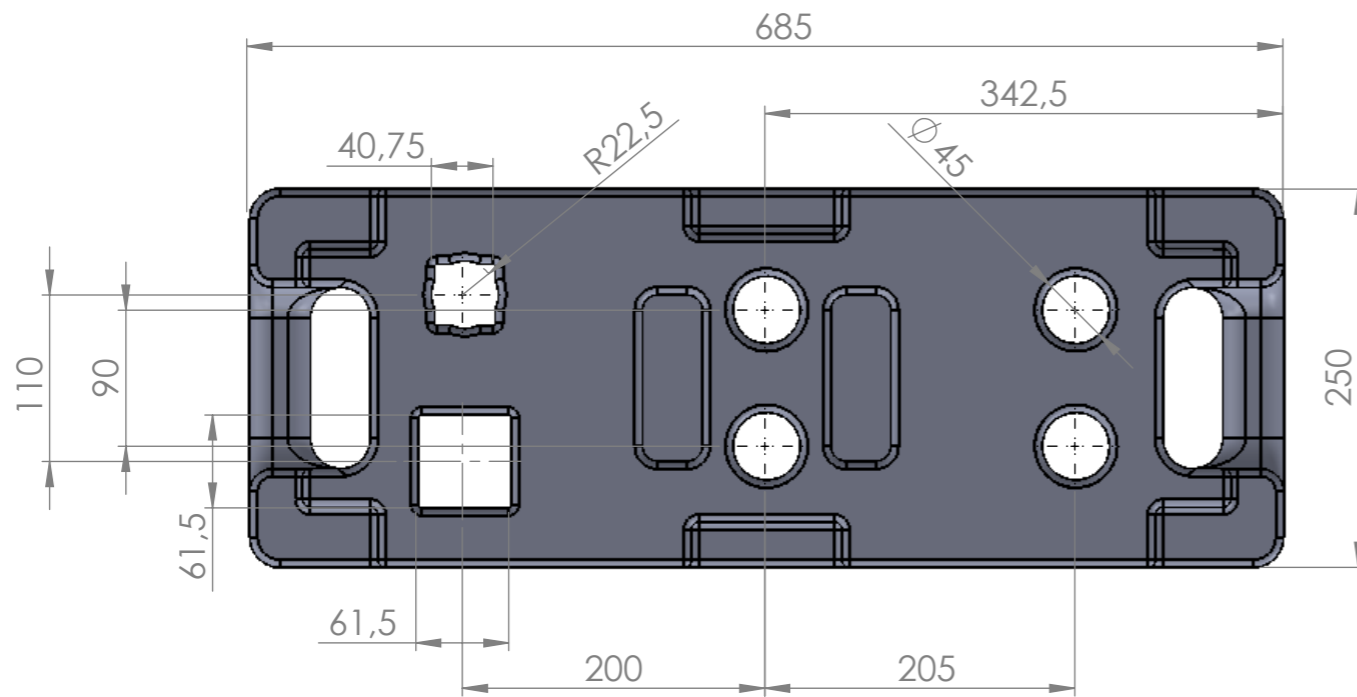
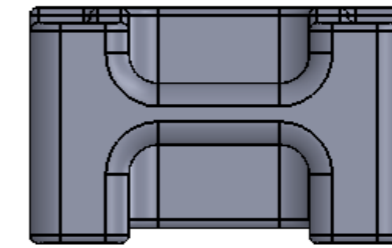
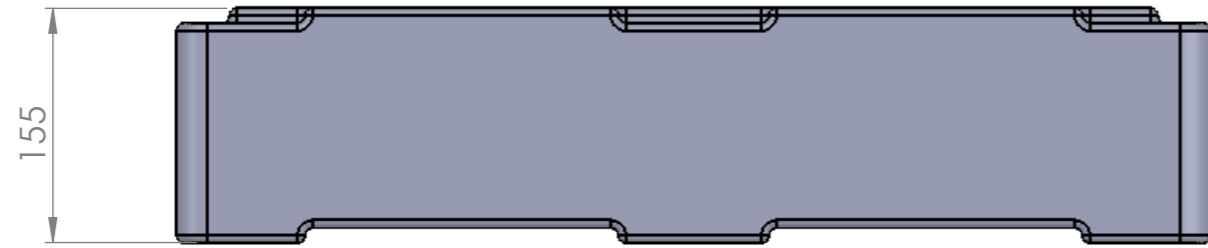
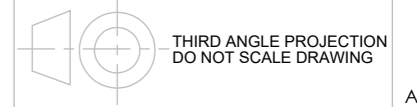
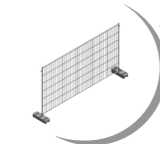


ALL DIMENSIONS IN MILLIMETERS



| | | | | | |
|---------------|-----|----------|-----------|----------------|--------------|
| TITLE: | | BASE | | | |
| NAME | SGN | DATE | MATERIAL: | | |
| DRAWN BIŃCZAK | | 10/01/22 | | | |
| CHK'D | | | | | |
| WEIGHT: | | 20 kg | | TOLERANCE: ±5% | |
| | | | | CODE: | Revision |
| | | | | SCALE: 1:5 | SHEET 1 OF 1 |



BVS Europe

Stephan Böcker