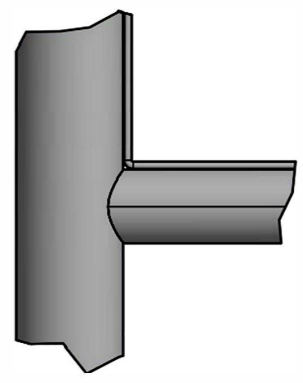
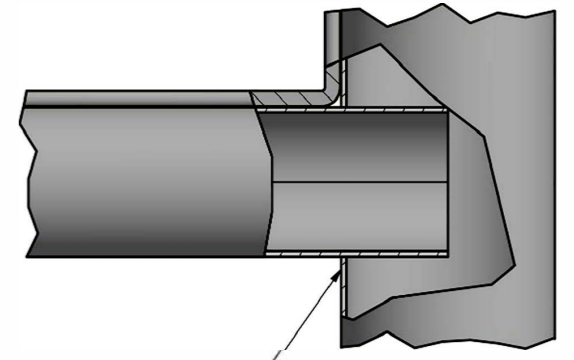


A (1:2)

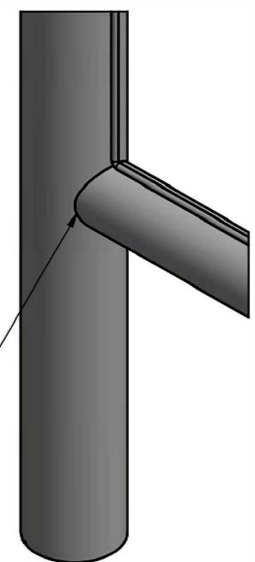


B (1:1)



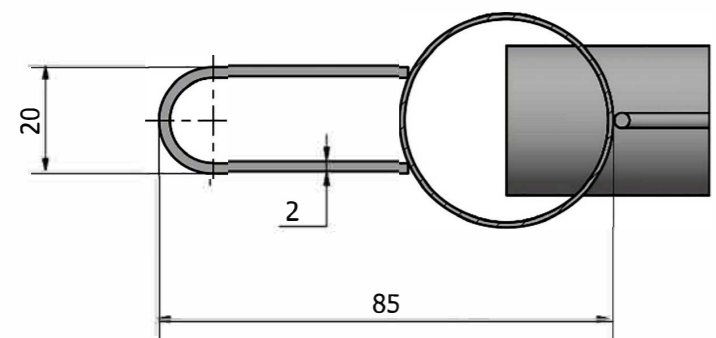
Horizontal pipe in a vertical pipe

B

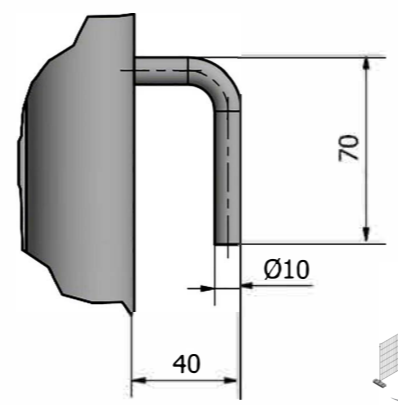


Isometric view of the connection pipe

C-C (1:1)



D (1:2)



Finish: Hot dipped galvanised	Tolerance : ±5%	Zubehör : Profi Exklusiv 3,5 0 x 2,00	CODE : 10076.0
	Weight: 19 kg	Date: 28-06-2015	