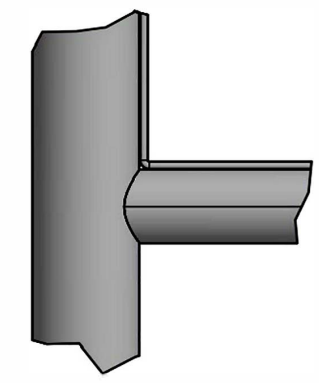
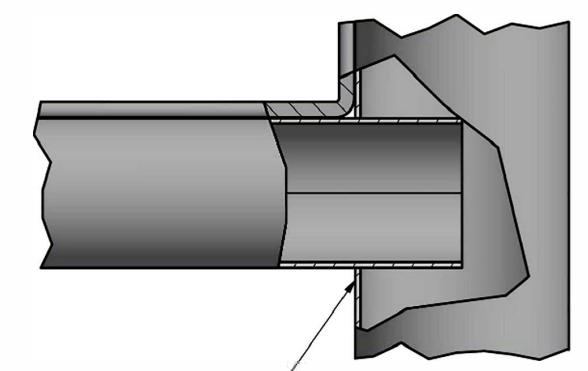


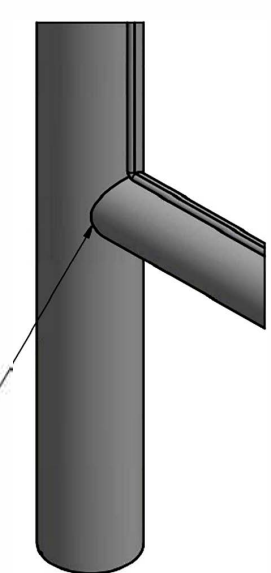
A (1:2)



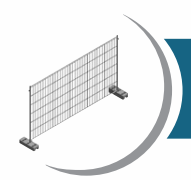
B (1:1)



Horizontal pipe in a vertical pipe



Isometric view of the connection pipe



BVS Europe
Stephan Böcker

Finish: Hot dipped galvanised	Tolerance : ±5%	Zubehör : Profi Business 3,5 0 x 2,00	CODE : 10075
	Weight: 14kg	Drawn : mgr inż.Paweł Hamrol	
		Date: 08-07-2015	