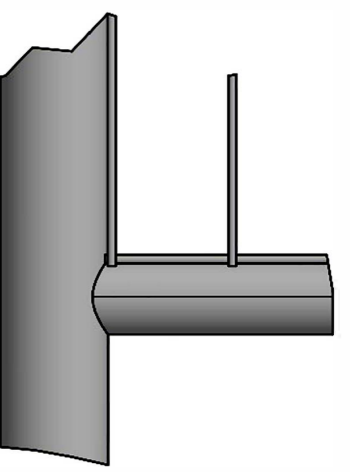
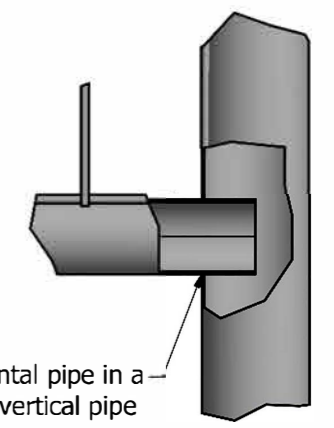


A (1 : 2)

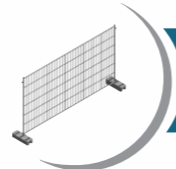
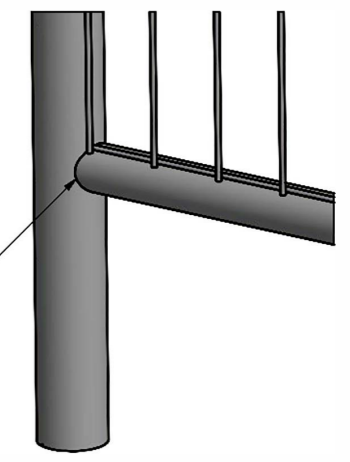


B (1 : 2)



Horizontal pipe in a vertical pipe

Isometric view of the connection pipe



BVS Europe
Stephan Böcker

Revision	Finish: Hot dipped galvanised	Mobilzaun: Profi Business 3,5 x 2,0 (x45)
	Tolerance : $\pm 5\%$	Drawn : mgr inż. Paweł Hamrol
	Weight: 19 kg	Date: 23-02-2016
		CODE : 10075.1