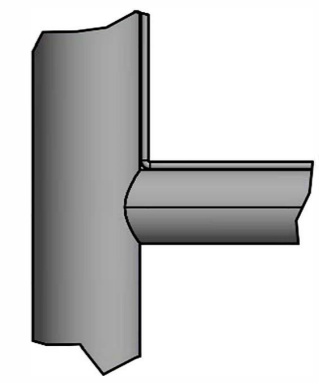
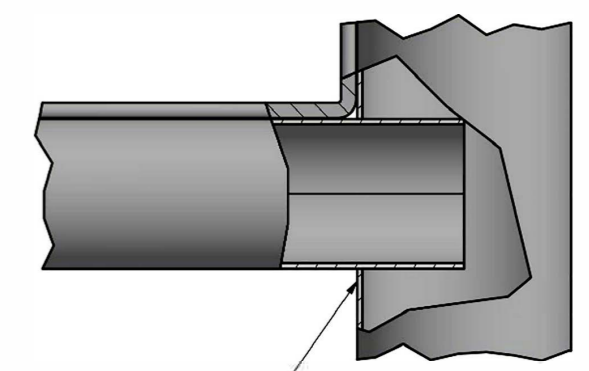


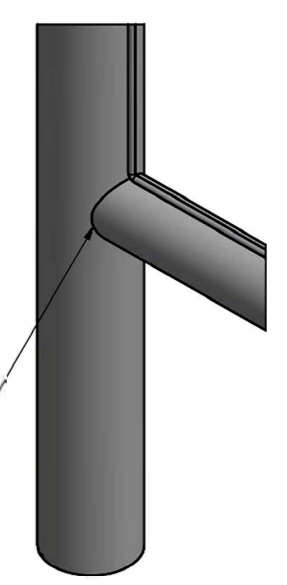
A (1:2)



B (1:1)

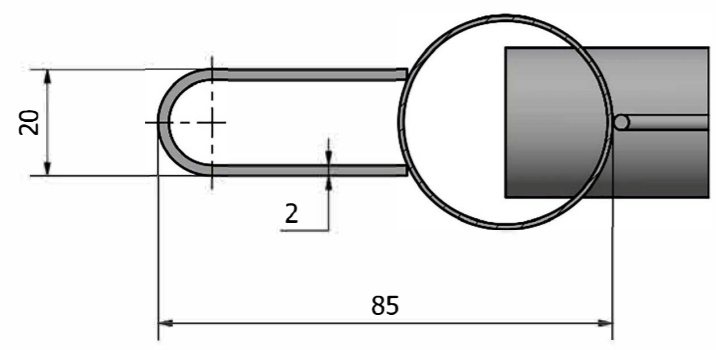


Horizontal pipe in a vertical pipe

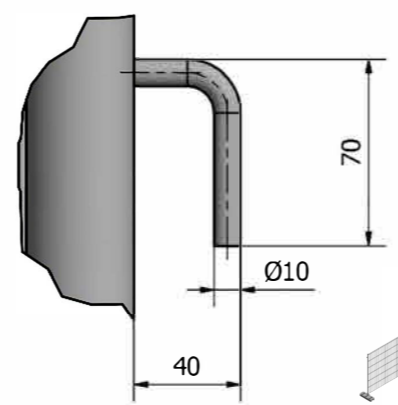


Isometric view of the connection pipe

C-C (1:1)



D (1:2)



Finish: Hot dipped galvanised	Tolerance : ±5%	Zubehör : Profi Business 3,5 0 x 2,00	CODE : 10075.0
	Weight: 14kg	Drawn : mgr inż.Paweł Hamrol	
		Date: 08-07-2015	