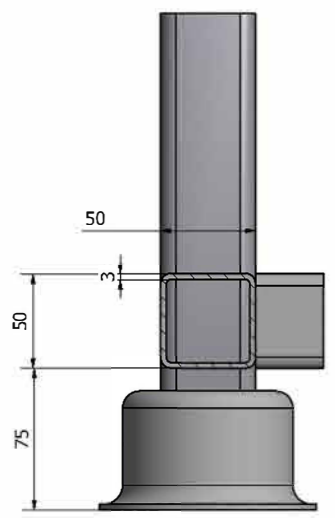
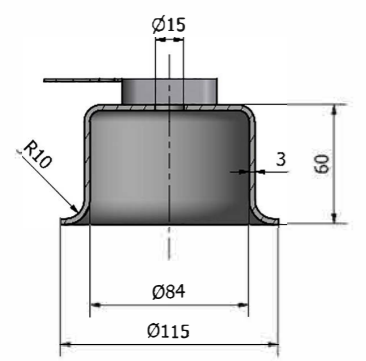


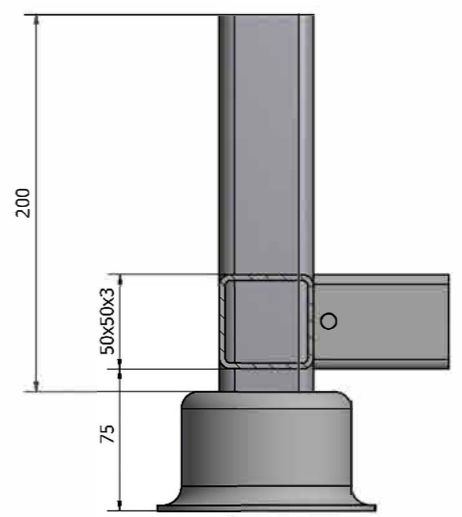
B-B (1:2)



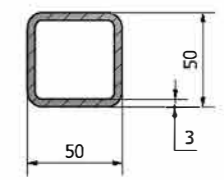
E-E (1:2)



A-A (1:2)



D-D (1:2)




BVS Europe
Stephan Böcker

Revision	Finish:	Mobilzaun:	Gestell Polizeigitter
A 31-03-2016 P.H.	Hot dipped galvanised	Drawn:	mgr inz. Pawel Hamrol
	Tolerance : ±5%	Date:	19-02-2016
	Weight: 40 kg		CODE : 10073