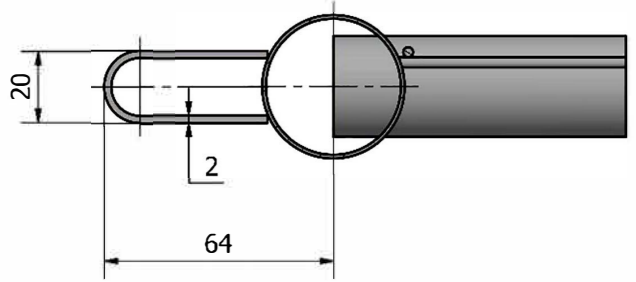
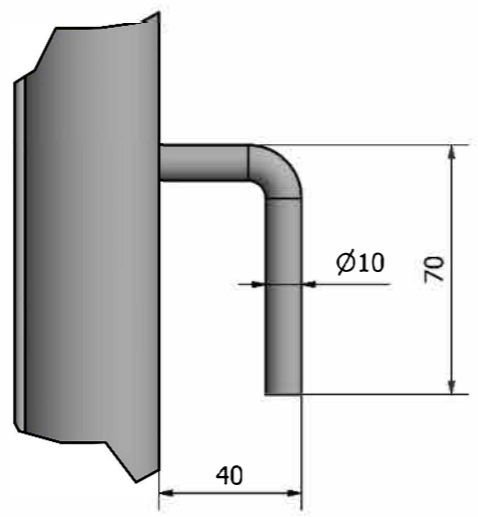


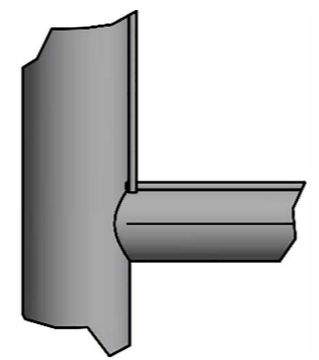
C-C



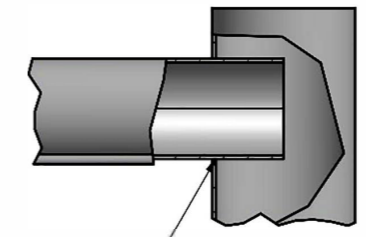
D



E

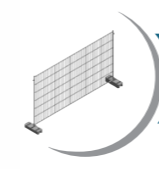
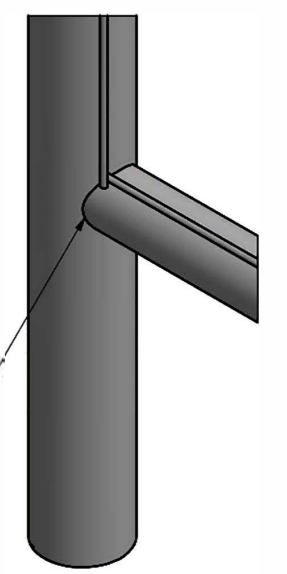


F



Horizontal pipe in a vertical pipe

Isometric view of the connection pipe



BVS Europe

Stephan Böcker

| | | | |
|-------------------------------|-----------------|------------------------------------|------------------------|
| Finish: Hot dipped galvanised | Tolerance : ±5% | Zubehör : Profi Business 3,5 x 1,2 | CODE : 10042 |
| | Weight: 12 kg | Drawn : Date: 29-04-2015 | |