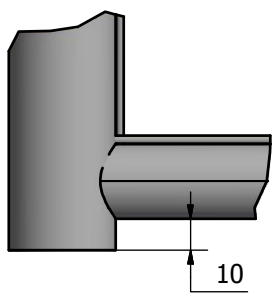
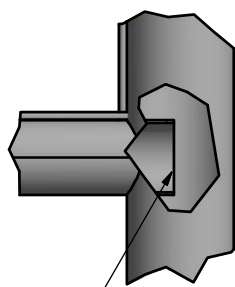


A ( 1:2 )

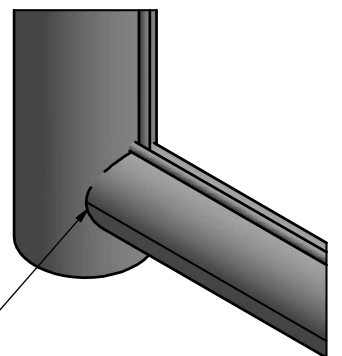


B ( 1:2 )



Horizontal pipe in a vertical pipe

Isometric view of the connection pipe



Finish: Hot dipped galvanised	Tolerance : $\pm 10\%$	Zubehör : Furtka ażurowa 1230 x 2000	CODE : <b>10028</b>
	Weight: 8 kg	Drawn : mgr inż. Paweł Hamrol	
		Date: 13-04-2016	