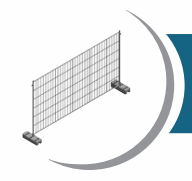
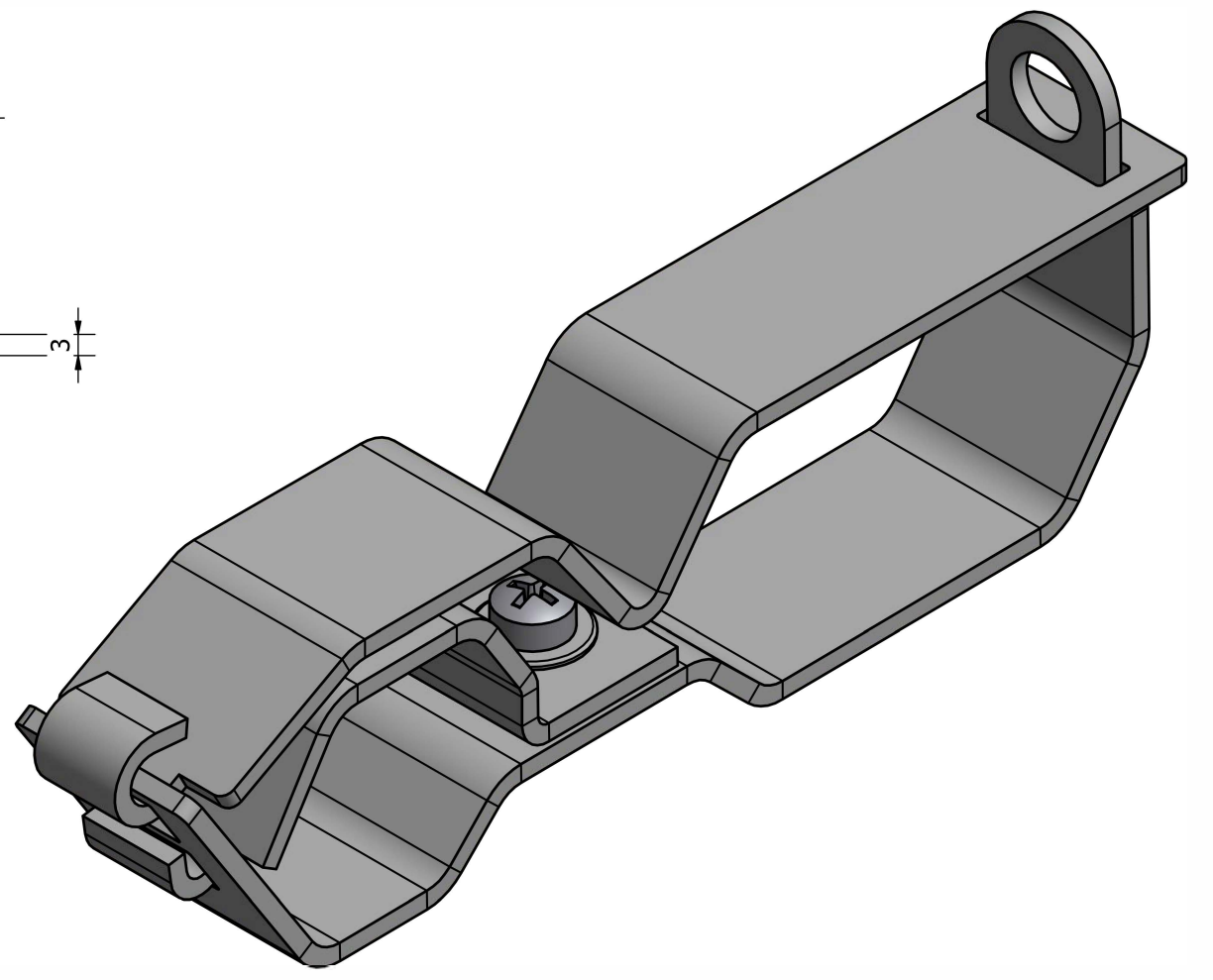
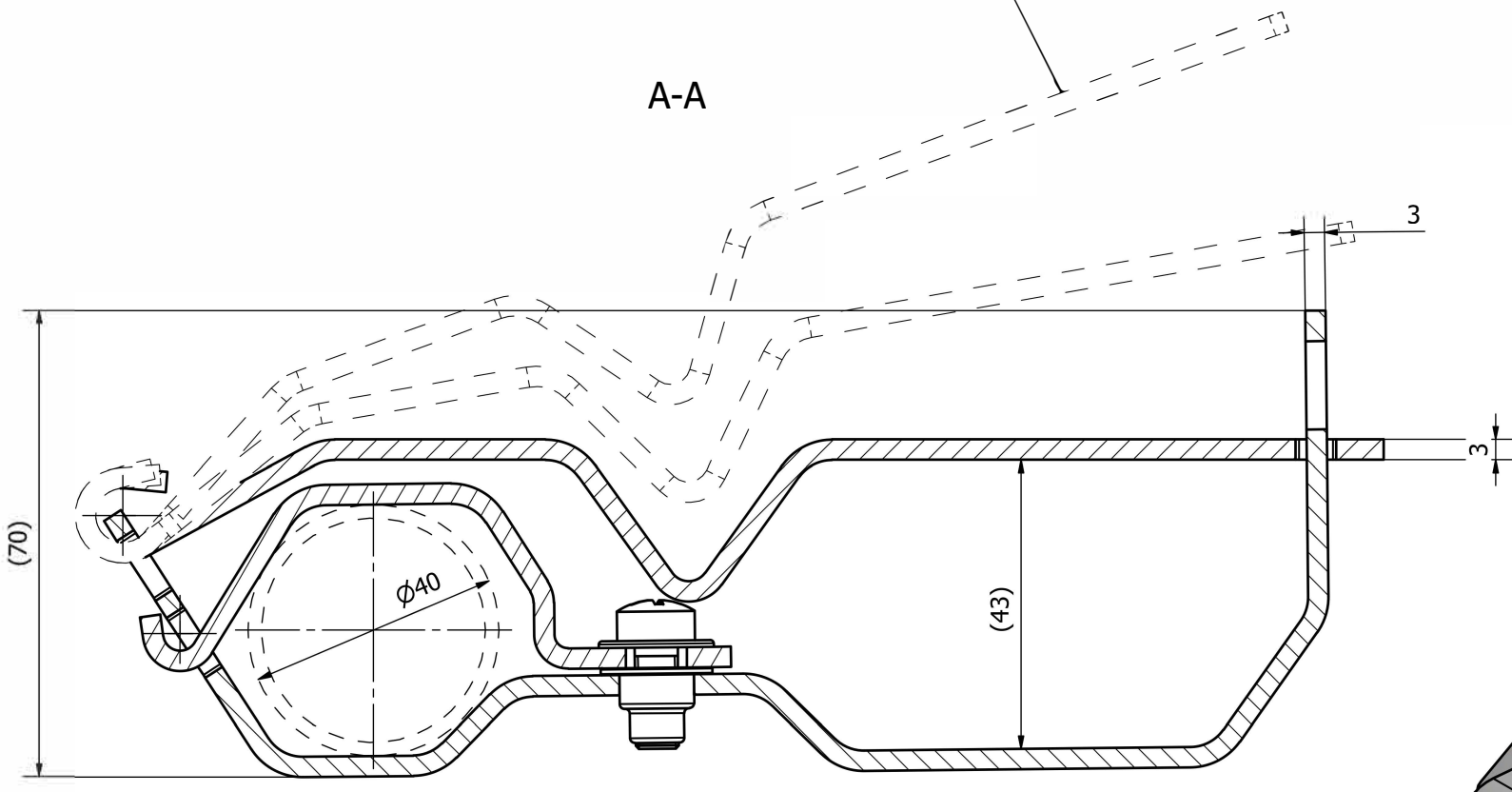


The possibility of opening

A-A



BVS Europe
Stephan Böcker

Finish: Stainless steel	Tolerance : $\pm 5\%$	Zubehör : Zaunverschluss edelstahl	CODE : 10018
	Weight: 0,45 kg	Drawn : inż. Paweł Hamrol	
	Date: 20-05-2015		