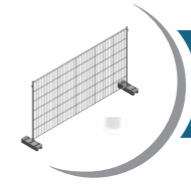
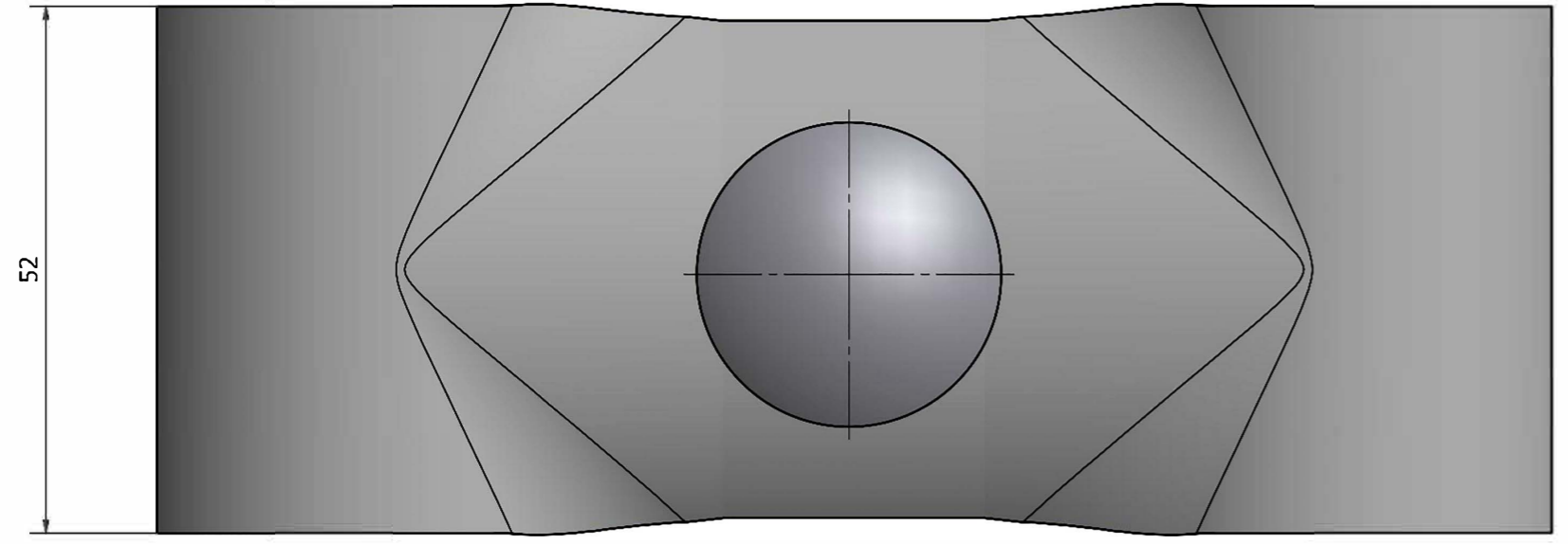
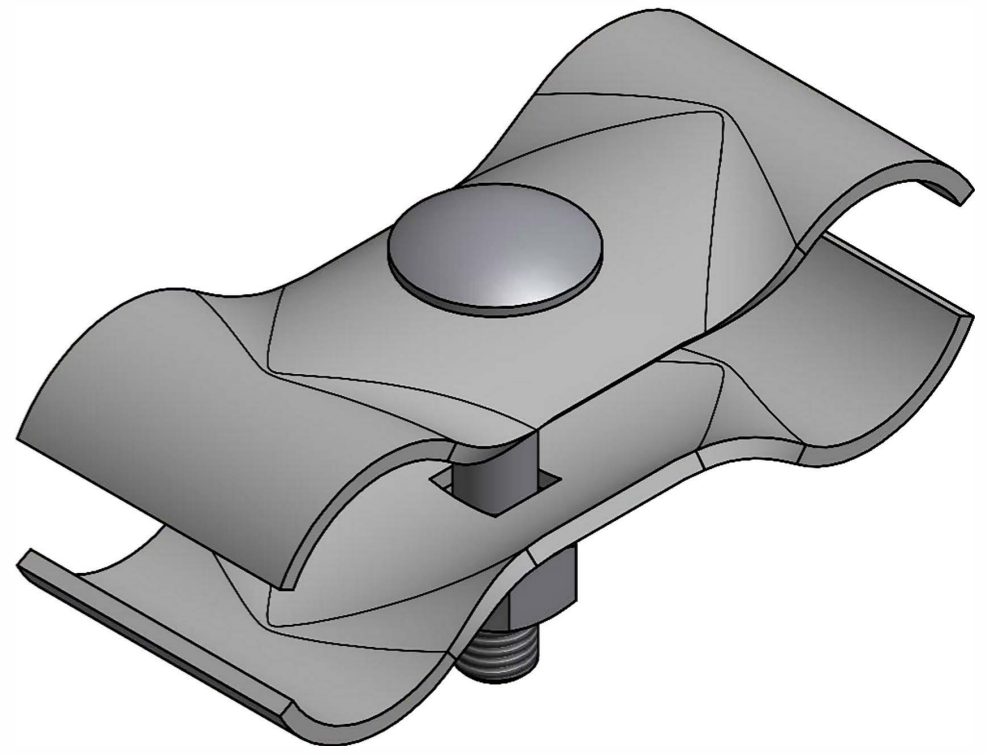
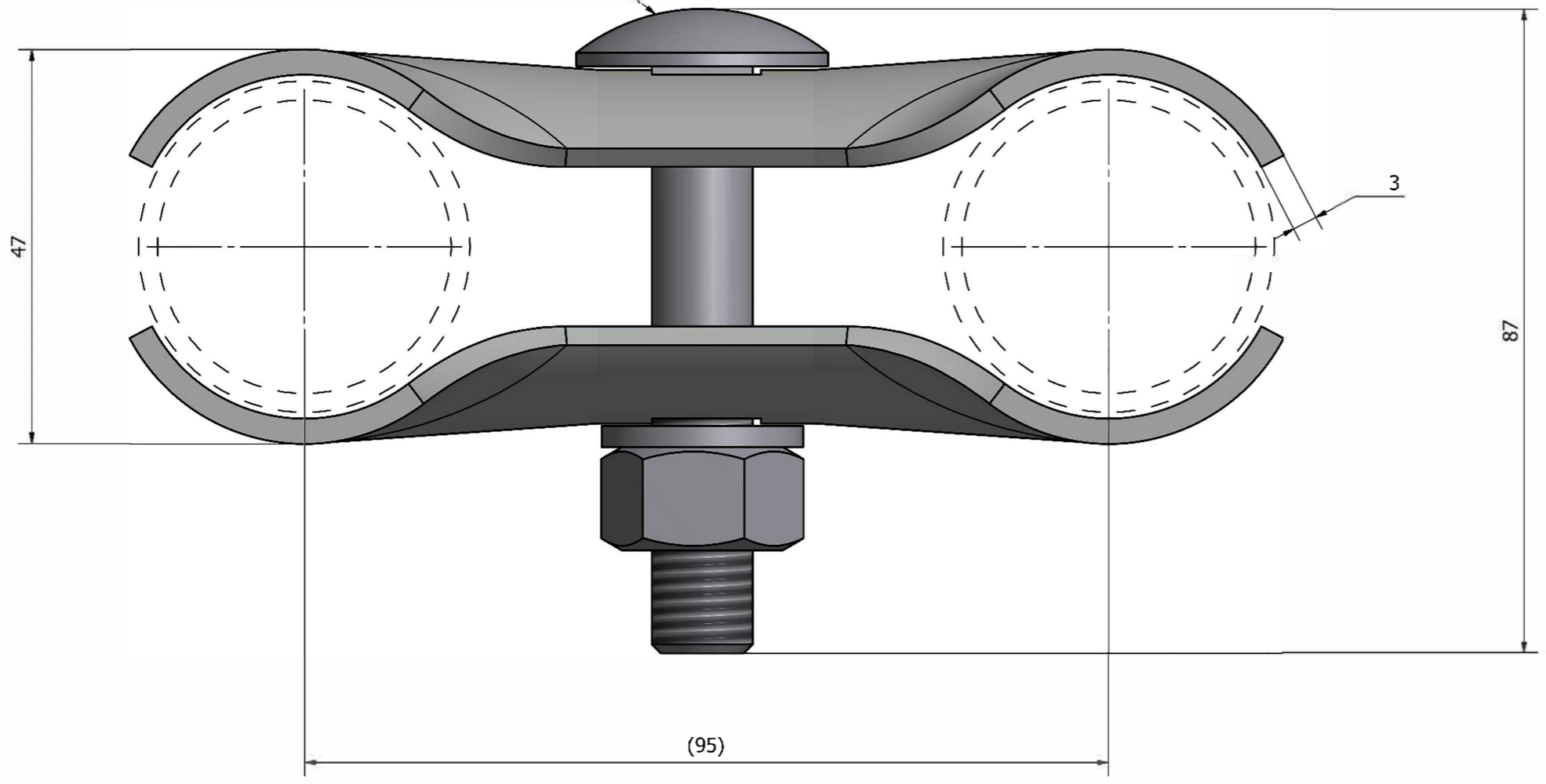


M12 x 90



BVS Europe

Stephan Böcker

		Zubehör : Schelle	
	Tolerance : ±5%	Drawn : inż. Paweł Hamrol	
Finish: Hot dipped galvanised	Weight: 0,5 kg	Date: 21-05-2015	CODE : 10002