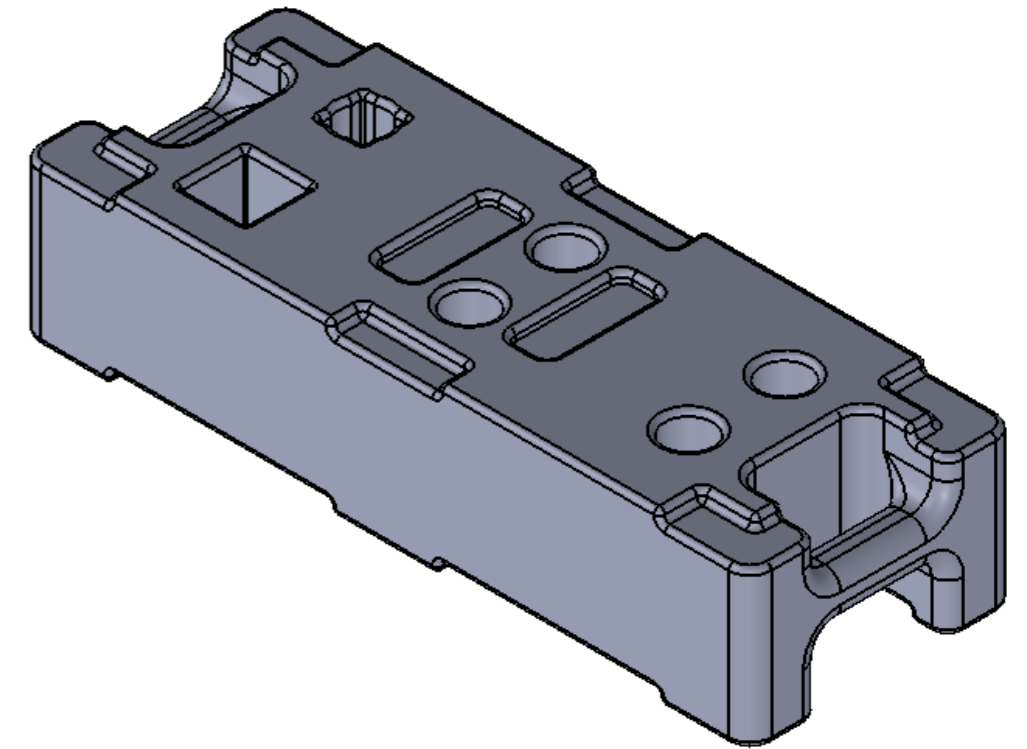
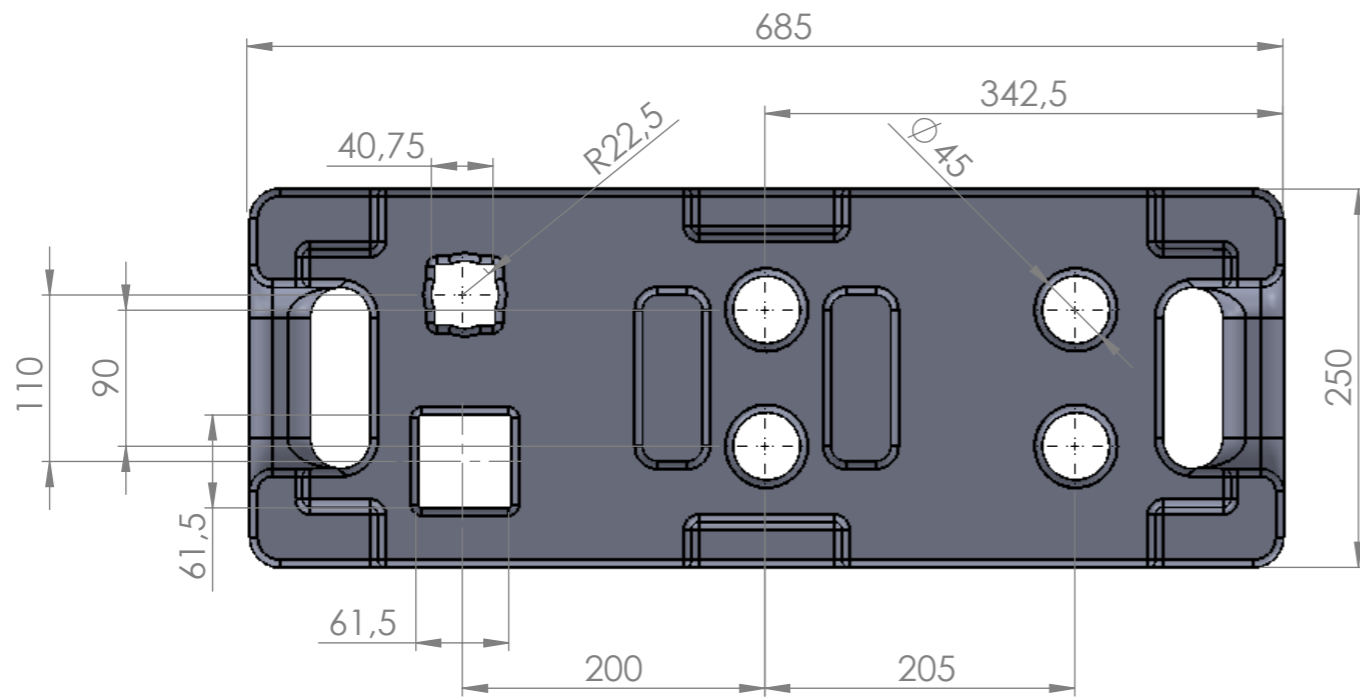
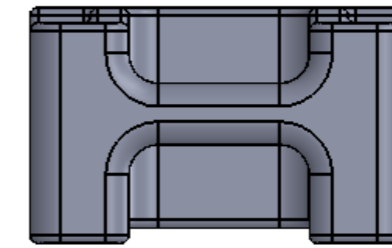
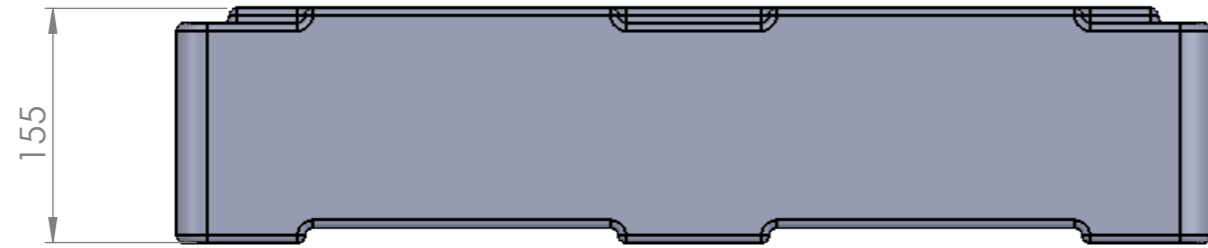
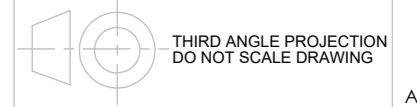


ALL DIMENSIONS IN MILLIMETERS



TITLE:		BASE				
	NAME	SGN	DATE	MATERIAL:		
	DRAWN BIŃCZAK		10/01/22			
	CHK'D					
WEIGHT:	20 kg		TOLERANCE:	±5%		CODE:
						Revision
				SCALE: 1:5	SHEET 1 OF 1	A3