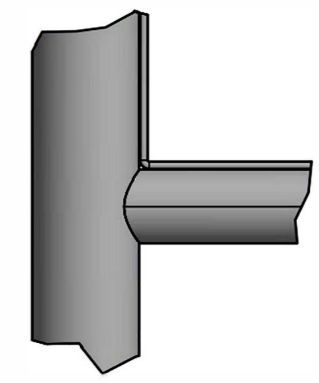
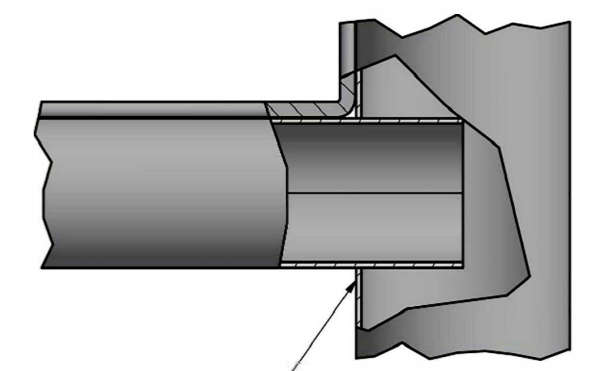


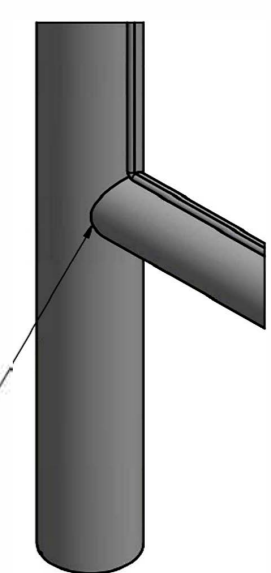
A (1:2)



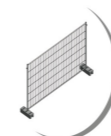
B (1:1)



Horizontal pipe in a vertical pipe



Isometric view of the connection pipe

 BVS Polska Alicja Karaczun	Finish: Hot dipped galvanised	Tolerance : ±5%	Zubehör : Profi Business 3,5 0 x 2,00	CODE : 10075
		Weight: 14kg	Drawn : mgr inż.Paweł Hamrol Date: 08-07-2015	