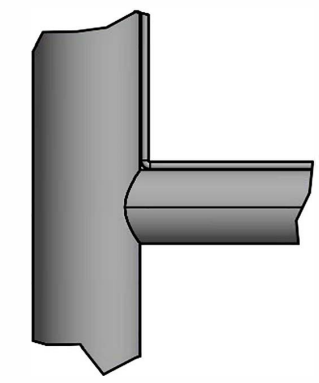
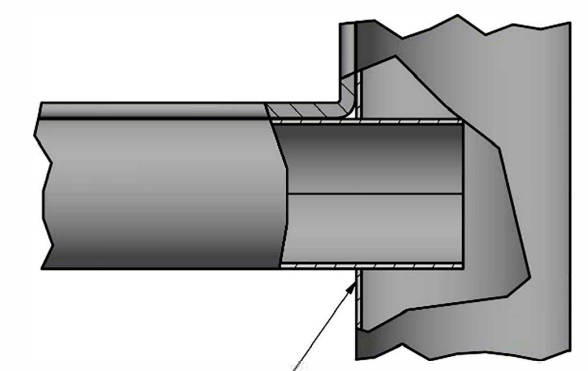


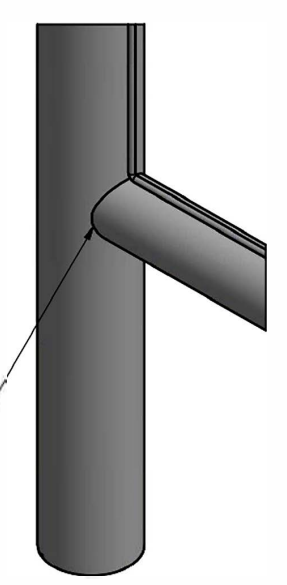
A (1:2)



B (1:1)

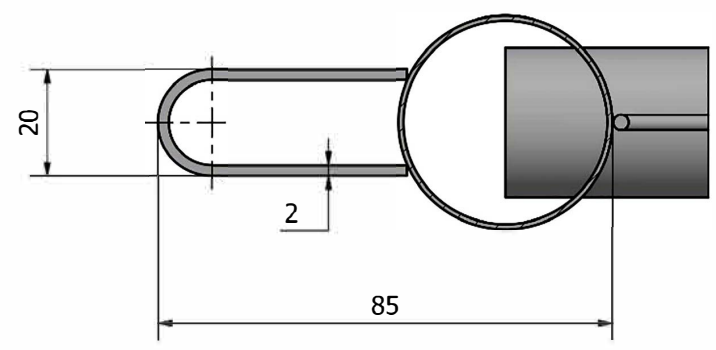


Horizontal pipe in a vertical pipe

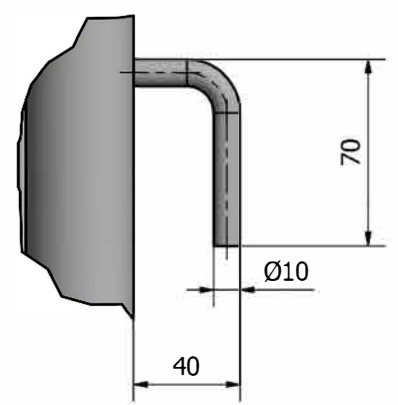



Isometric view of the connection pipe

C-C (1:1)



D (1:2)



 BVS Polska Alicja Karaczun	Finish: Hot dipped galvanised	Zubehör : Profi Business 3,5 0 x 2,00	CODE : 10075.0	
		Tolerance : ±5%		Drawn : mgr inż.Paweł Hamrol
		Weight: 14kg		Date: 08-07-2015