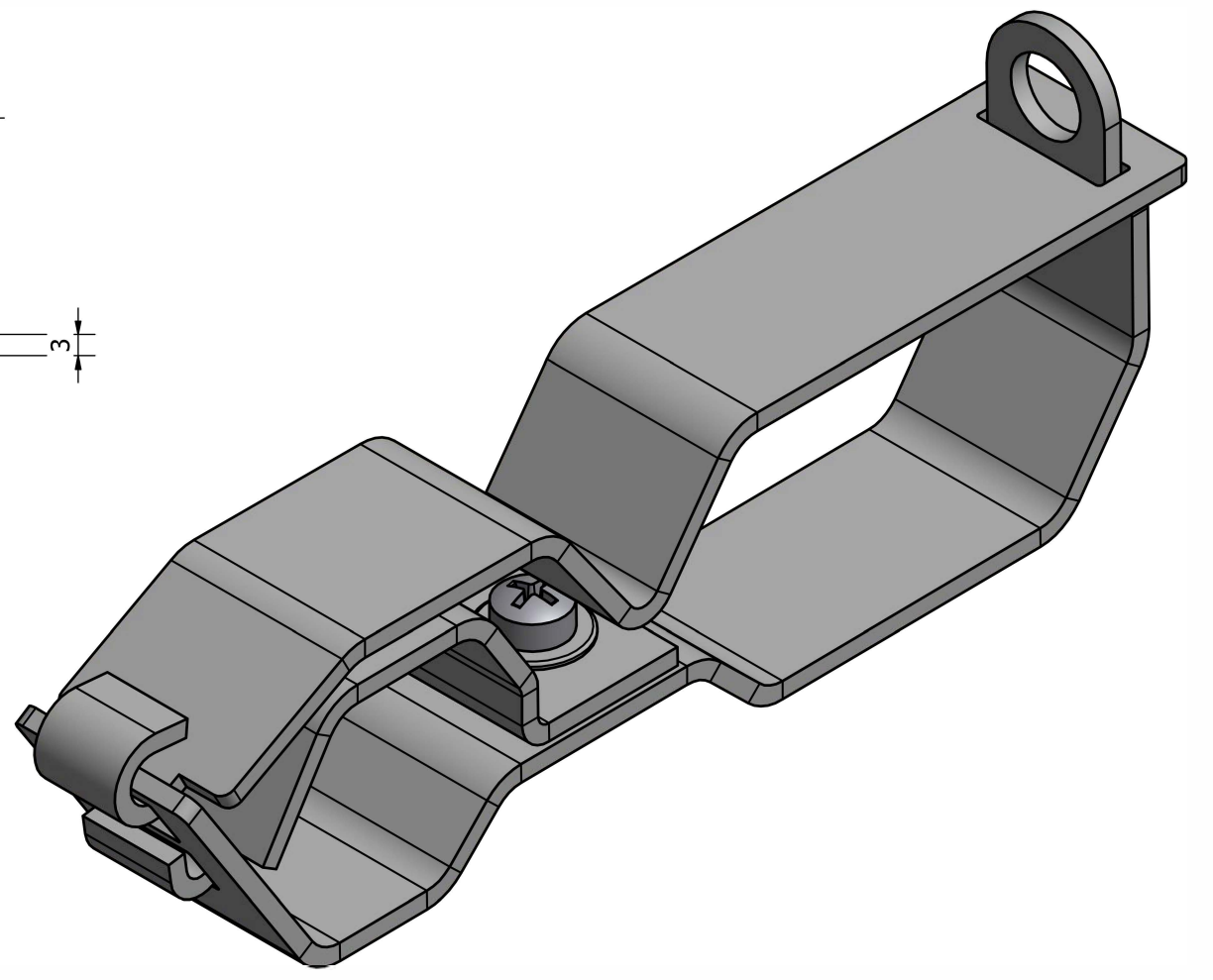
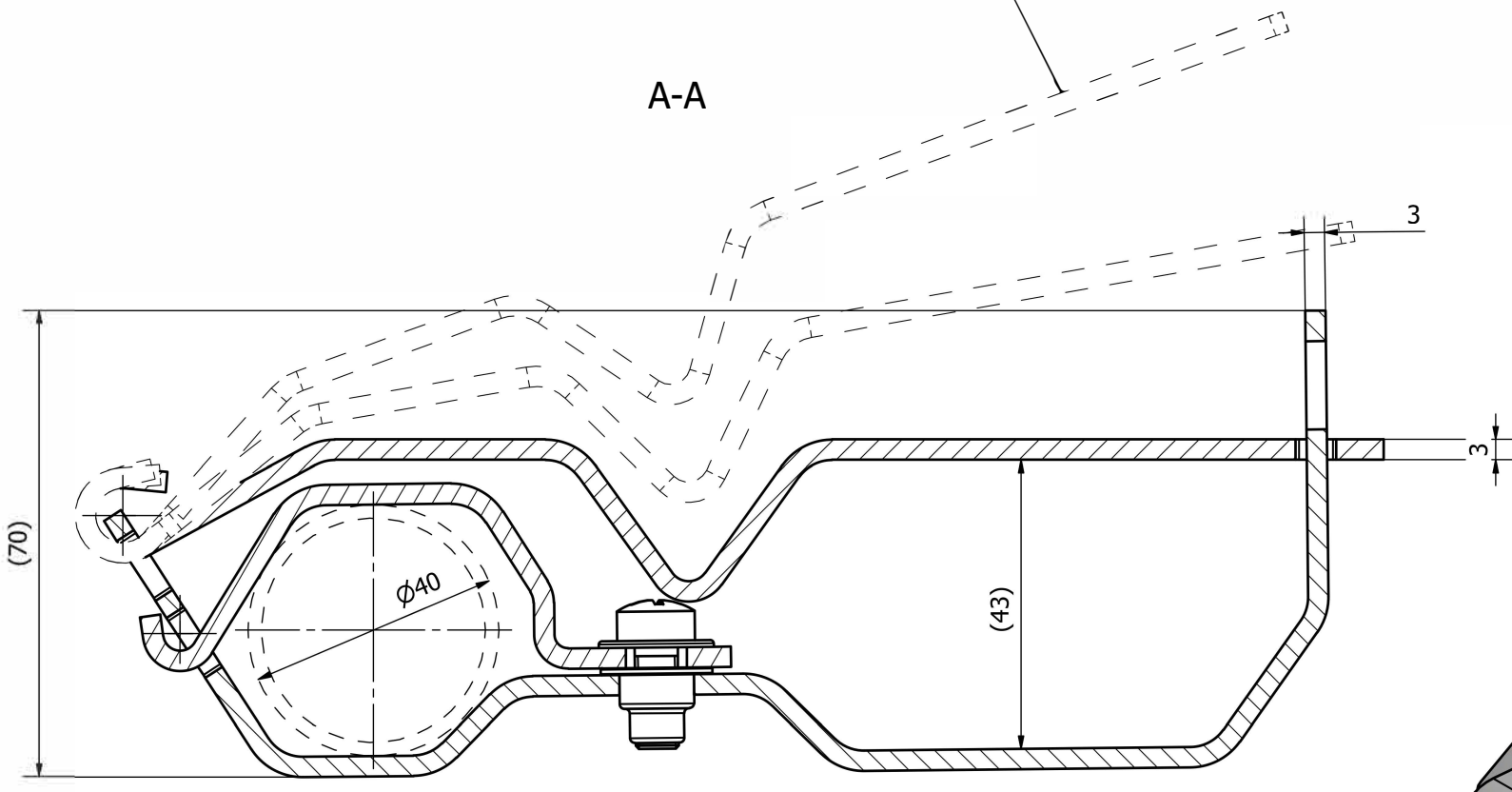



The possibility of opening

A-A



 BVS Polska Alicja Karaczun	Zubehör :	Zaunsschloss edelstahl	CODE : 10018
	Tolerance : ±5%	Drawn :	
Finish: Stainless steel	Weight: 0,45 kg	Date:	20-05-2015