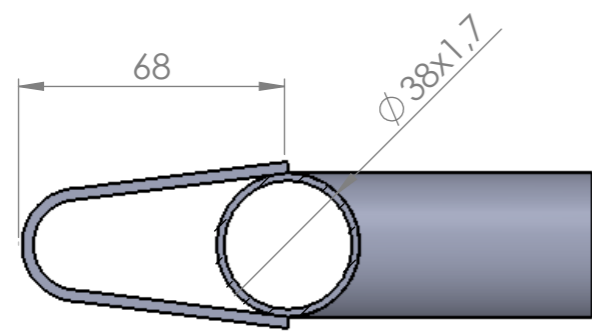
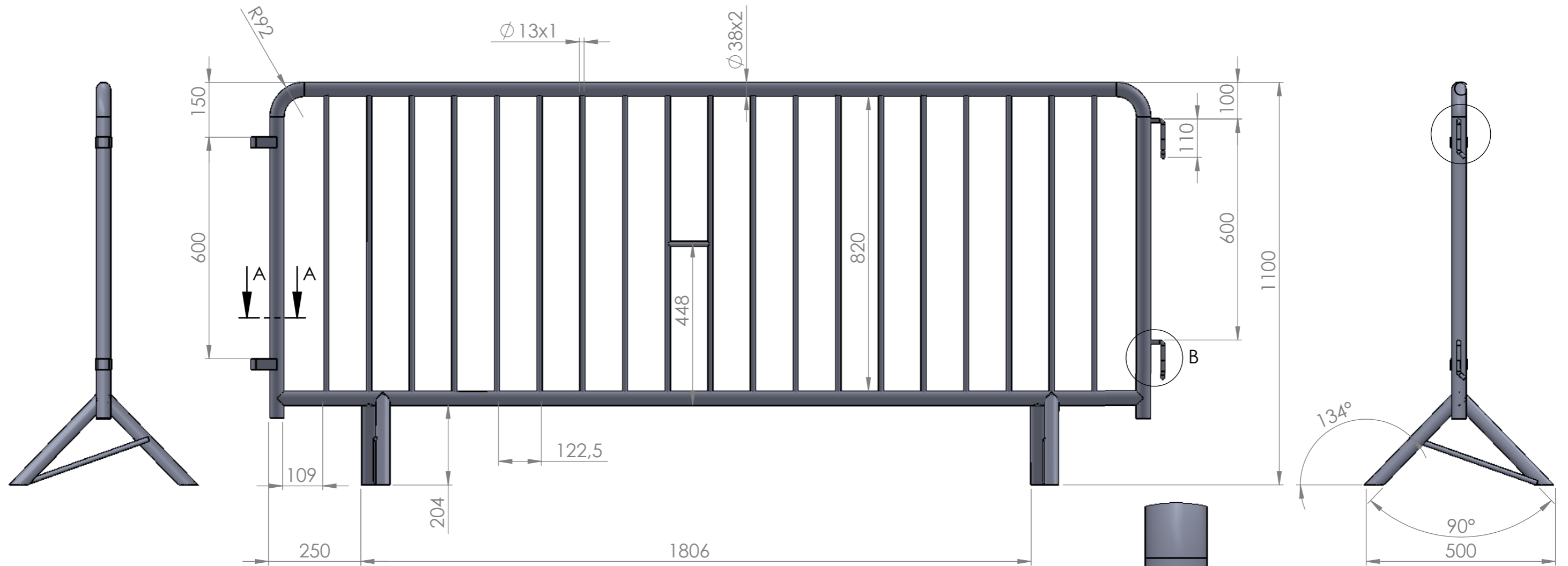
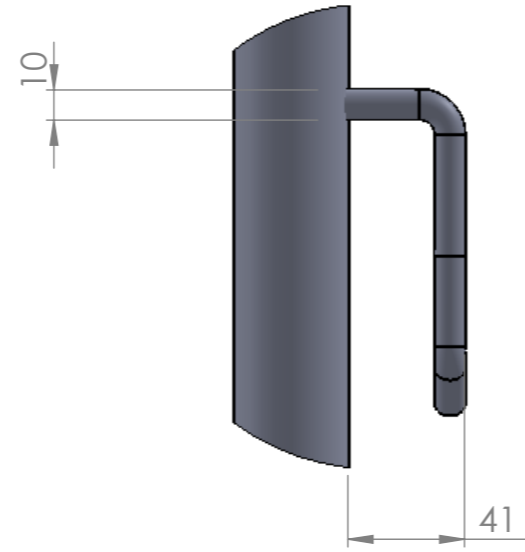


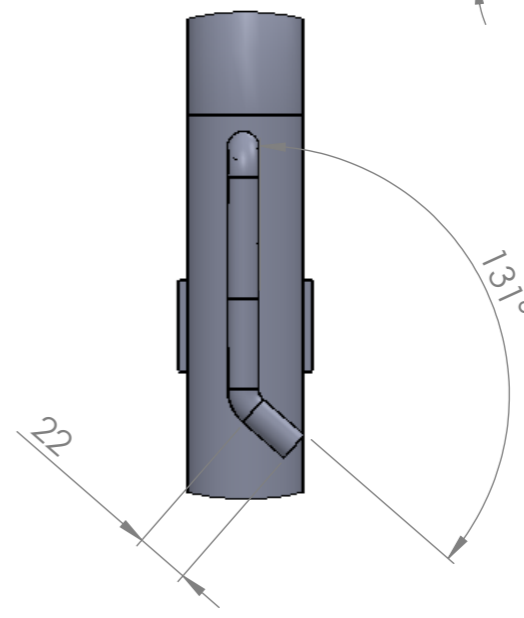
ALL DIMENSIONS IN MILLIMETERS



SECTION A-A  
SCALE 1 : 2



SECTION B  
SCALE 2 : 5



SECTION C  
SCALE 2 : 5

TITLE:				ABSPERRGITTER EXKLUSIV	
DRAWN	NAME	SIGNATURE	DATE	MATERIAL:	
CHK'D	BIŃCZAK		26/9/17		
FINISH:			TOLERANCE:		CODE:
HOT DIPPED GALVANISED			±5%		10025.0
SCALE: 1: 11				Revision	
SHEET 1 OF 1				A3	